

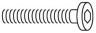

BOLERO

**IMPORTANT! KEEP
FOR FUTURE REFERENCE**

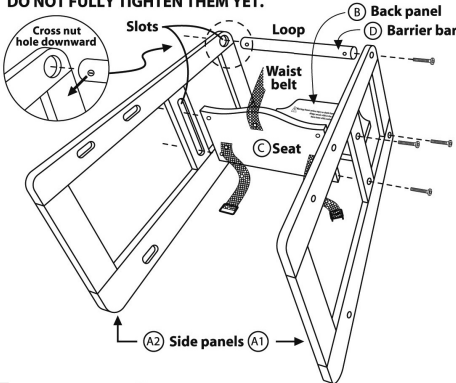


**DL900 Beech Highchair
DL901 Dark Wood Highchair**

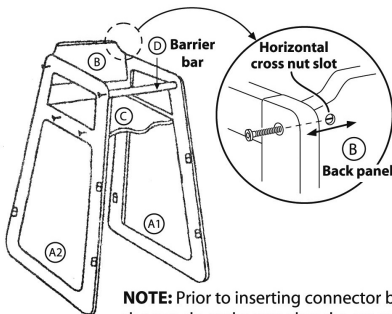
IMPORTANT - RETAIN FOR FUTURE REFERENCE - READ CAREFULLY

CONTENTS:		HARDWARE:	
Description	Quantity	Description	Quantity
(A1) Right side panel	1	Connector bolt 	14
(A2) Left side panel	1		
(B) Back panel, 12" x 6-5/16"	1	Allen wrench 	1
(C) Seat, 13" x 10-5/8" w/ Straps	1		
(D) Barrier bar, 11-15/16" x 1-1/4" diam.	1		
(E) Foot rest, 14-11/16" x 1-3/4"	1		
(F) Stretcher, 16-7/16" x 1-3/4"	2		

Join the right & left side panels (A1) (A2) with parts (B) (C) & (D) as shown below. Insert connector bolts to join them, but **DO NOT FULLY TIGHTEN THEM YET.**

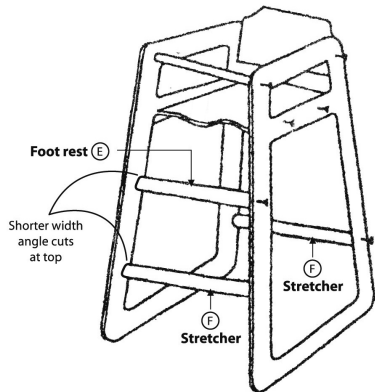


- 1 Place back panel (B) into the back slot with the warning instruction facing forward.
- 2 Place seat (C) into the slots with the waist belt's screw downward.
- 3 Insert barrier bar into the slot on the side panel.



NOTE: Prior to inserting connector bolts into the panels, make sure that the cross nut slot stays horizontal to allow proper insertion.

- 4 Tap foot rest (E) into its slots. Install bolts and make sure that the angle cuts on ends are properly aligned with shorter width at top.
- 5 Tap in stretchers (F), and install all remaining connector bolts.



- 6 Check chair balance & tighten all bolts to complete assembly. Bolts can come loose over time. Bolts should be checked for tightness and retightened periodically.

Cleaning, Care & Maintenance

- Clean with a damp cloth.
- Polish with a suitable wood polish.
- Regularly check excessive wear of components and tighten all screws.

Safety Tips



WARNING!



IMPORTANT - KEEP FOR FUTURE REFERENCE

DO NOT leave the child unattended
Make sure that the harness is correctly fitted
DO NOT use the high chair unless all components are correctly fitted and adjusted
ALWAYS check the security and the stability of the high chair before use

- MAKE SURE that the harness is correctly fitted
- BE AWARE of the risk of an open fire or other sources of strong heat such as electric bar fires, gas fires etc in the vicinity of the high chair
- The high chair should not be used until the child can sit up unaided
- DO NOT use the high chair if any part is broken, torn or missing
-
- Position on a flat, stable surface.
- Consult Local and National Standards to comply with the following:
 - Health and Safety at Work Legislation
 - Fire Precautions
 - BS EN Codes of Practice
 - Building Regulations
- Keep all packaging away from children. Dispose of the packaging in accordance with the regulations of local authorities.

 **Note: Be sure to check all packaging materials for any small parts that may have come loose during transportation.**

BOLERO prides itself on quality and service, ensuring that at the time of packaging the contents are supplied fully functional and free of damage.

Should you find any damage as a result of transit, please contact your BOLERO dealer immediately.

 **Note: During assembly, ensure that all screws are only loosely connected. Tightening the screws as you go will make assembly difficult.**

Compliance

BOLERO parts have undergone strict product testing in order to comply with regulatory standards and specifications set by international, independent, and federal authorities.

This product conforms to: BS EN 14988:2006 +A1:2012 (Parts 1 and 2)



BOLERO Telephone Helpline: +44 (0)845 146 2887

BOLERO, Fourth Way, Avonmouth, United Kingdom, BS11 8TB